

KMK 119

BLUETOOTH OPTICAL PROBE

SMART WIRELESS AUTO
PROTOCOL DETECTION PROBE

INFO@PROBEFORMETERS.COM

PROBEFORMETERS.COM



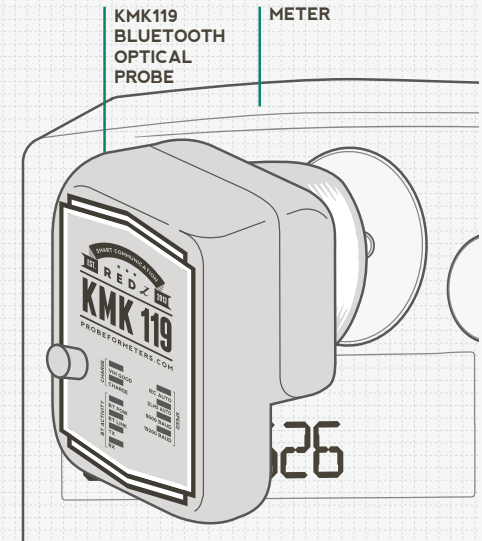
SMART
BLUETOOTH CLASSIC
BLUETOOTH LOW
ENERGY (BLE)
DUAL IN ONE
OPTICAL PROBE

AUTO PROTOCOL
DETECTION



REDZ KMK119 optical probe is designed in IEC 62056-21 standard and it is compatible with all brands and types of IEC meters. The probe has wireless Bluetooth connection (both Bluetooth classic and Bluetooth Low Energy - BLE in same device) thus it can easily be used with any Android or Windows based device with Bluetooth connection support. It can also be used with iOS devices with BLE support.

This is a smart Bluetooth optical probe that can detect IEC62056-21 or DLMS / COSEM protocol and makes baud changeovers automatically. Thus it is possible to use with software that works with existing cable versions of probes and there will be no additional need for device command integration. It supports different operating modes such as command mode and firmware can be changed easily over Bluetooth.



MECHANICAL SPECIFICATIONS

Diameter:	32 mm	Body and Back Cover Material:	ABS
Width:	~ 36 mm	Transparent Parts:	Transparent Poly Carbonate
Height:	~ 55 mm	Weight:	~ 125 gr
Depth:	~ 42 mm		
Magnetic Force:	N38		

PROBE SPECIFICATIONS

Standard:	IEC 62056-21 (former IEC 1107)	Operating Voltage:	3,3 V (Rechargeable battery powered through micro USB)
Data Communication Speed:	Max 38400 baud	Wavelength:	~ 900 nm
		Receiver Sensitivity:	Programmatically changeable on Command Mode

BLUETOOTH SPECIFICATIONS

Standard:	Bluetooth Classic v4.1 Bluetooth Low Energy, version v4.0. Class 1 radio 1.5Mbps data throughput 128-bit encryption security	LEDs:	VIN Good, Charge, BT Power, BT Link, TX, RX, IEC Auto, DLMS Auto, Mode 3, Mode 4
Operating Modes:	<ul style="list-style-type: none"> IEC 62056-21 Auto Detection, DLMS/Cosem Auto Detection, 9600 baud 8N1 fixed, Command mode, etc. Operating modes can be changed instantly by easily upload firmware over Bluetooth connection 	Battery:	1200 mAh rechargeable battery powered. Battery can be charged over Micro USB or USB Type C Connector based on device version
Operating Hours:	> 22 hours (more than 5500 nonstop readings)	Operating Distance:	Range up to 80m LOS